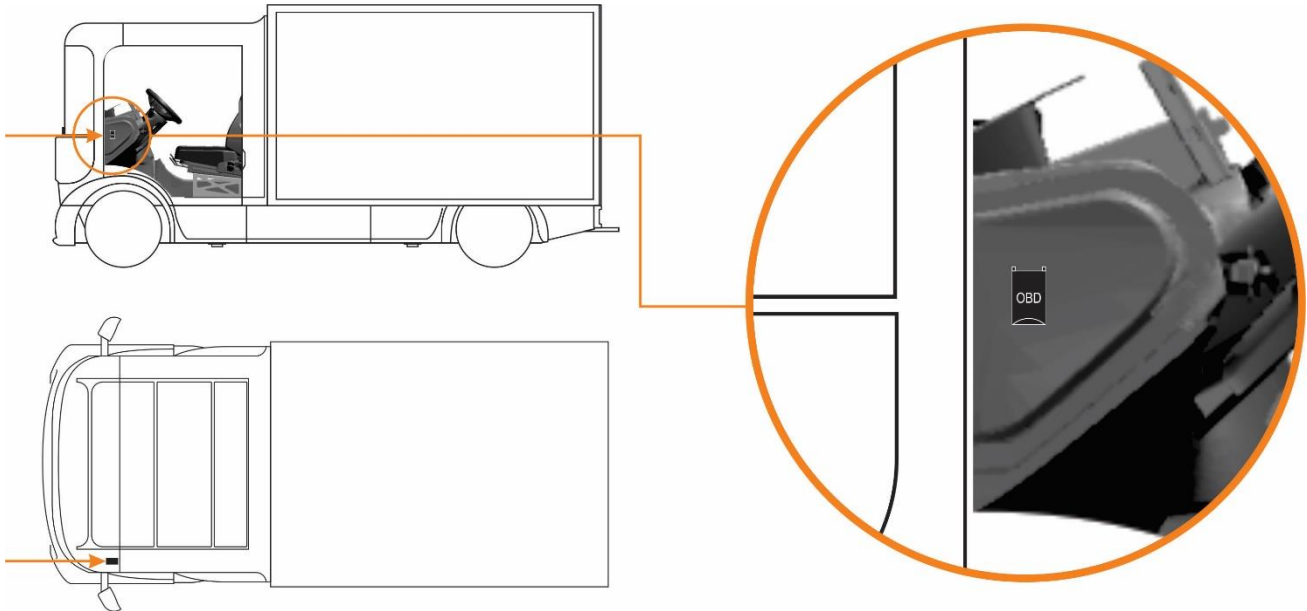


The OBD connector allows diagnostic equipment to be plugged into a vehicle in order to read the vehicle's computer system.

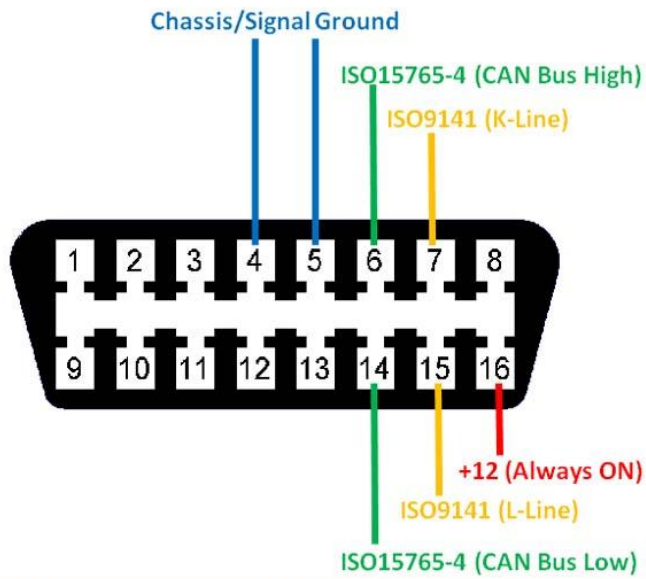


The OBD Port is found within the driver's reach and is accessible without the need of any tools. It is on the left side panel of the dashboard. The port is equipped with plastic protection cover with a readable marking "OBD" in capital letters.

If the adaptation is carried out directly with an OBD-adapter cable, only the systems that are connected to the standard pin of the diagnostic plug can be checked (pin 7 for ISO-diagnostics, pin 2 and 10 for SAE-diagnostics, pin 6 and 14 for CAN-diagnostics).

Generally, this is the motor control, other subsystems can be partially accessed.

Systems, which are not connected to the standard pins if the diagnostic plug must be adapted with an OBD adapting device and universal adapting cable or with an OBD multiplex.



Should any further information and support be needed, please do not hesitate to contact us at:

info@sincars.de